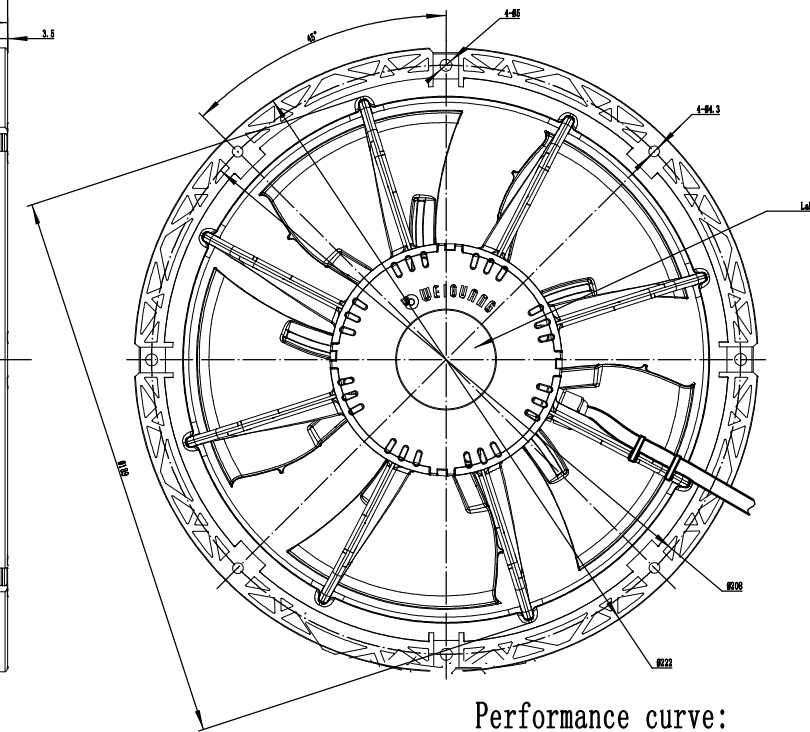
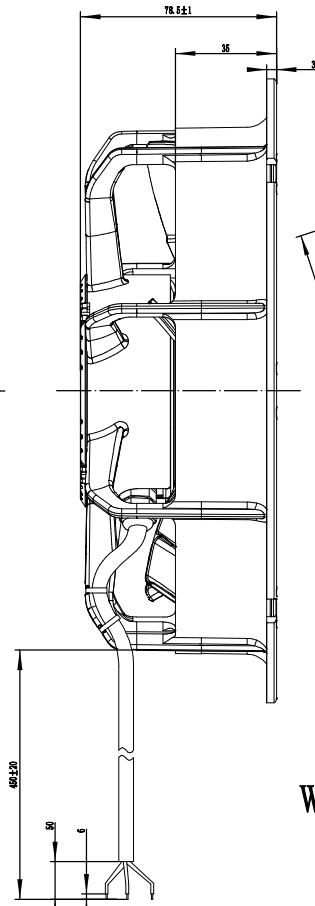
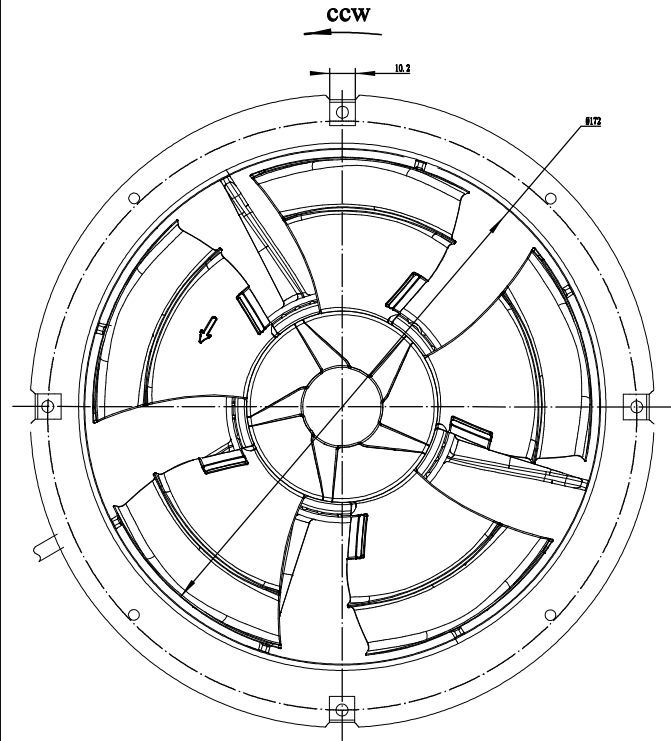


E0434P15

Type	Rated voltage(V)	Frequency(Hz)	Input current(A)	Input power(W)	Rated speed(r/min)	Max Air flow(m³/h)	Noise(dBA)	Perm.amb.temp(°C)
EC072/13E3G01-AS172/45P1-15	230VAC	50/60	0.05	5±10%	1300/700	550±10%	≤63	-30~+50

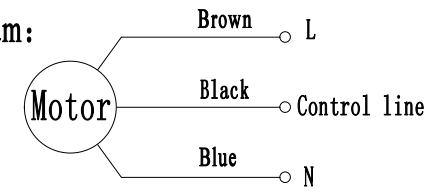


Label:



Performance curve:

Wiring diagram:



Black line open: n1 speed

Black line connecte with blue line or brown line: n2 speed

Technical requirements:

- 1.Fan flexible rotation, no clamping stagnation, abnormal sound and other bad phenomenon;
- 2.No oil and glue mark on the surface of the fan, no defects such as obvious deformation, mechanical mar,etc;
- 3.Lead wires surface without damage, the length according to the requirements of the drawings;
- 4.The motor is BLDC , it's protection functions include blocking protection,soft start, current-limiting protection ;
- 5.Rotation direction: The fan rotates ccw viewed from rotor;
6. 2 speeds programmed through NFC;
- 7.Main technical parameters of the fan according to the preceding table:

							Hangzhou Weiguang Electronic CO.,LTD.		
							ECM+ energy-saving fan		
Mark	Number	Partition	Change the file number	Signature	Date	Phase marker		Weight	Proportion
Design			Standardization						1:1
Examine									
Technology			Approval			Total	1 piece	Article	1 piece
							EC072/13E3G01-AS172/45P1-15		
							E0434P15		