

6318N/2 TDH3P

DC axial fan



ebm-papst St. Georgen GmbH & Co. KG

Hermann-Papst-Str. 1

D-78112 St. Georgen

Phone +49 (0) 7724 81-0

Fax +49 (0) 7724 81-1309

info2@de.ebmpapst.com

www.ebmpapst.com

Nominal data

Type	6318N/2 TDH3P	
Nominal voltage	VDC	48
Nominal voltage range	VDC	36 .. 72
Speed (rpm)	min ⁻¹	7500
Power consumption	W	152
Min. ambient temperature	°C	-20
Max. ambient temperature	°C	70
Air flow	m ³ /h	1030
Sound power level	B	8.4
Sound pressure level	dB(A)	83

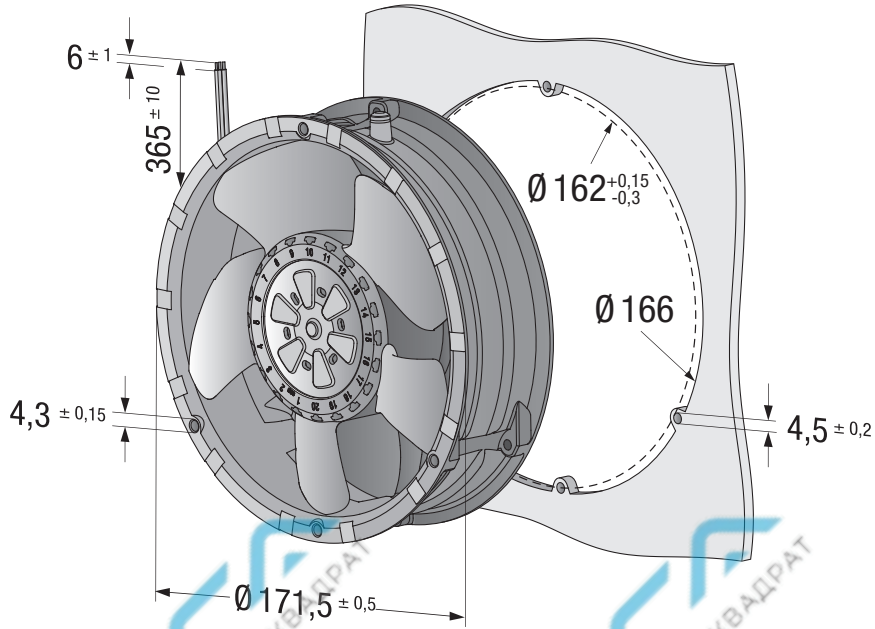
ml = Max. load · me = Max. efficiency · fa = Free air · cs = Customer specification · ce = Customer equipment
Subject to change



Technical description

General description	3-phase fan drive with very smooth operation and high efficiency Housing with grounding lug for M4 x 8 screw (Torx)
Weight	0.85 kg
Dimensions	Ø 172 x 51 mm
Impeller material	Glass-fiber reinforced PA plastic
Housing material	Die-cast aluminum
Airflow direction	Exhaust over struts
Direction of rotation	Counterclockwise, viewed toward rotor
Storage	Ball bearing
Service life L10 at 40 °C	60.000 h
Service life L10 at maximum temperature	30.000 h
Cable	AWG 20, UL 1007, TR 64; speed and alarm signal: AWG 22, UL 1007, TR 64
Approval	VDE, CSA, UL

Product drawing



Curves

